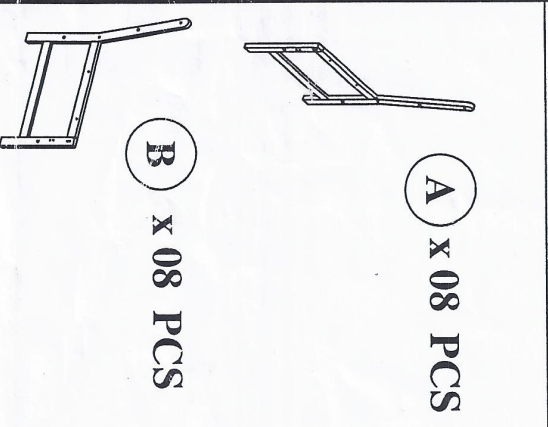


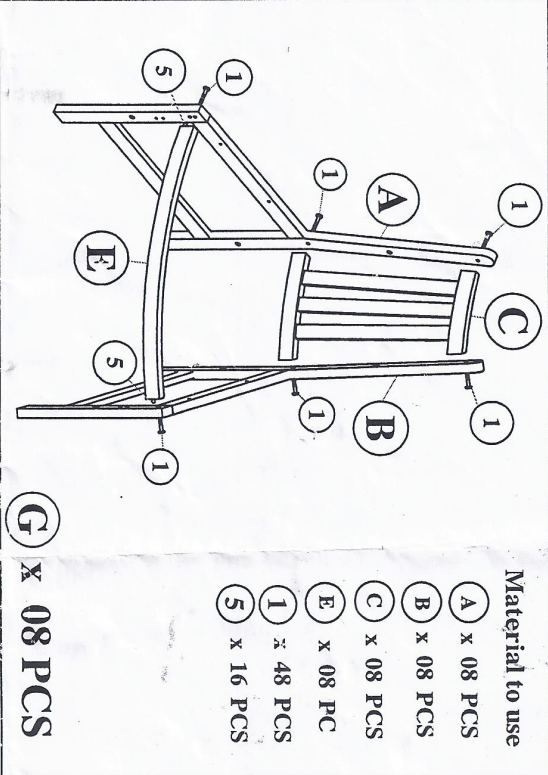
ASSEMBLY INSTRUCTION

KT 10183



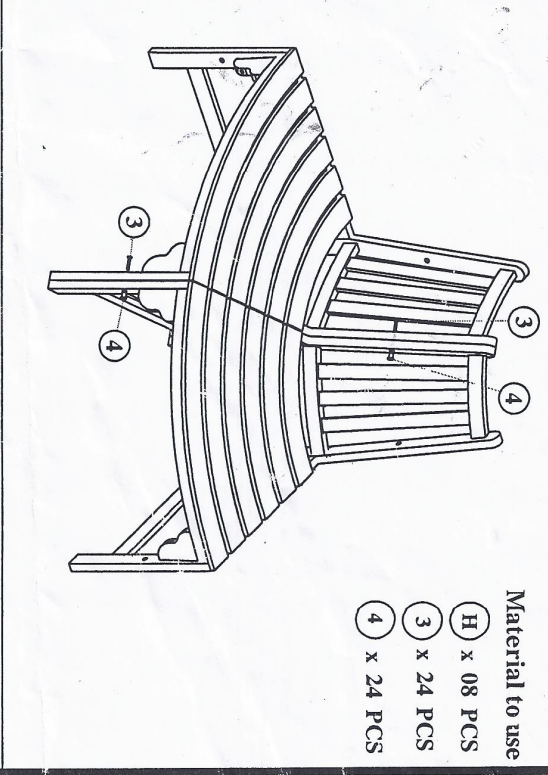
A x 08 PCS

B x 08 PCS



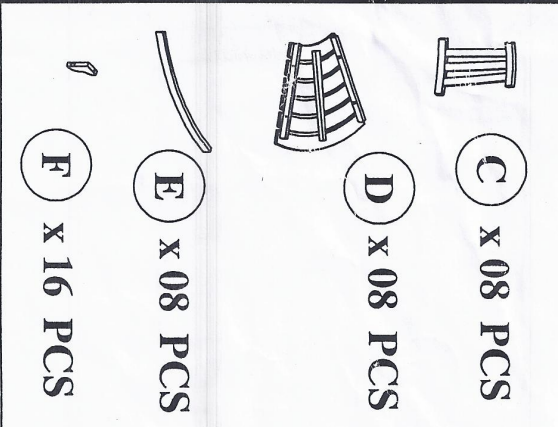
Material to use

- A** x 08 PCS
- B** x 08 PCS
- C** x 08 PCS
- E** x 08 PCS
- 1** x 48 PCS
- 5** x 16 PCS



Material to use

- H** x 08 PCS
- 3** x 24 PCS
- 4** x 24 PCS

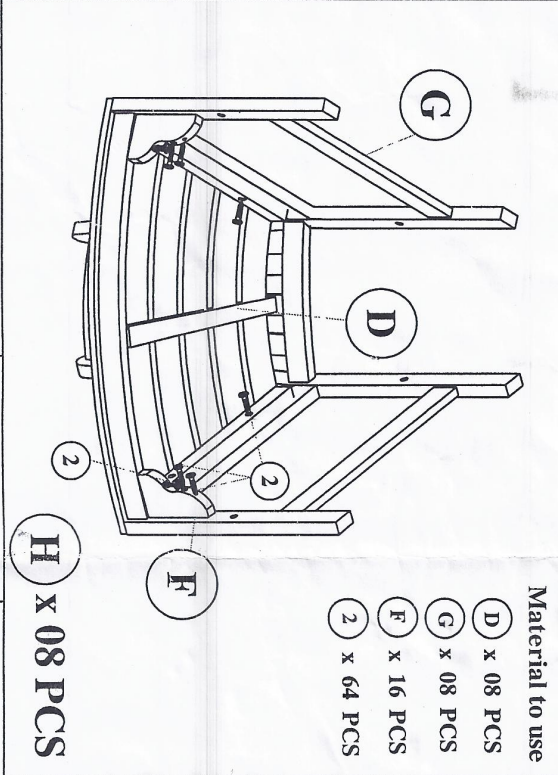


C x 08 PCS

D x 08 PCS

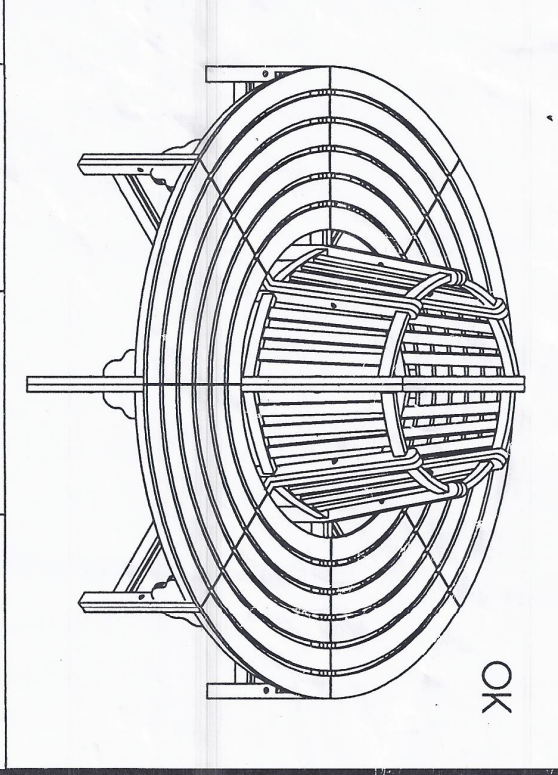
E x 08 PCS

F x 16 PCS



Material to use

- D** x 08 PCS
- G** x 08 PCS
- F** x 16 PCS
- 2** x 64 PCS

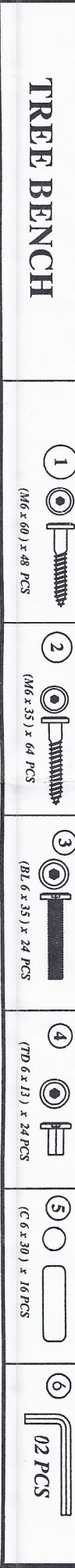


Material to use

- D** x 08 PCS
- G** x 08 PCS
- F** x 16 PCS
- 2** x 64 PCS

OK

TREE BENCH



- 1** (M6 x 60) x 48 PCS
- 2** (M6 x 35) x 64 PCS
- 3** (BL 6 x 35) x 24 PCS
- 4** (TD 6 x 13) x 24 PCS
- 5** (C 6 x 30) x 16 PCS
- 6** 02 PCS